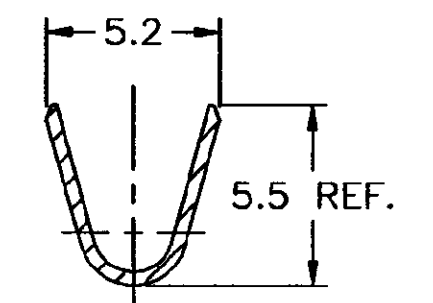
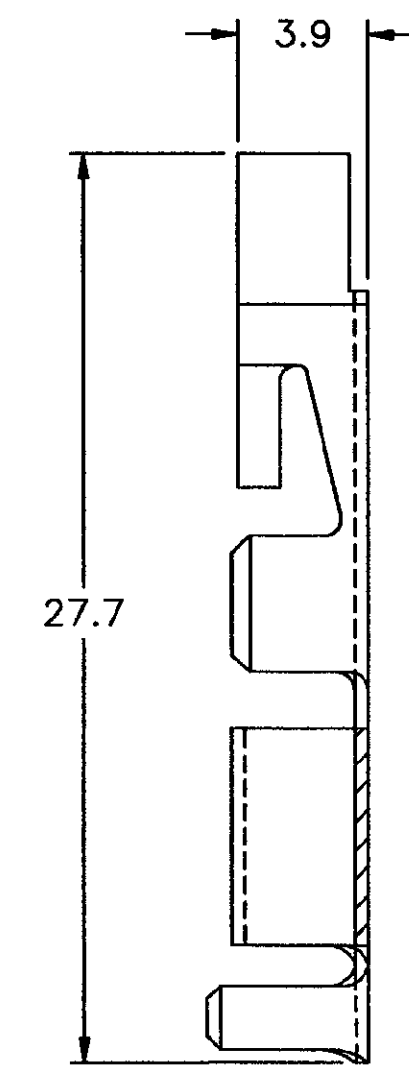
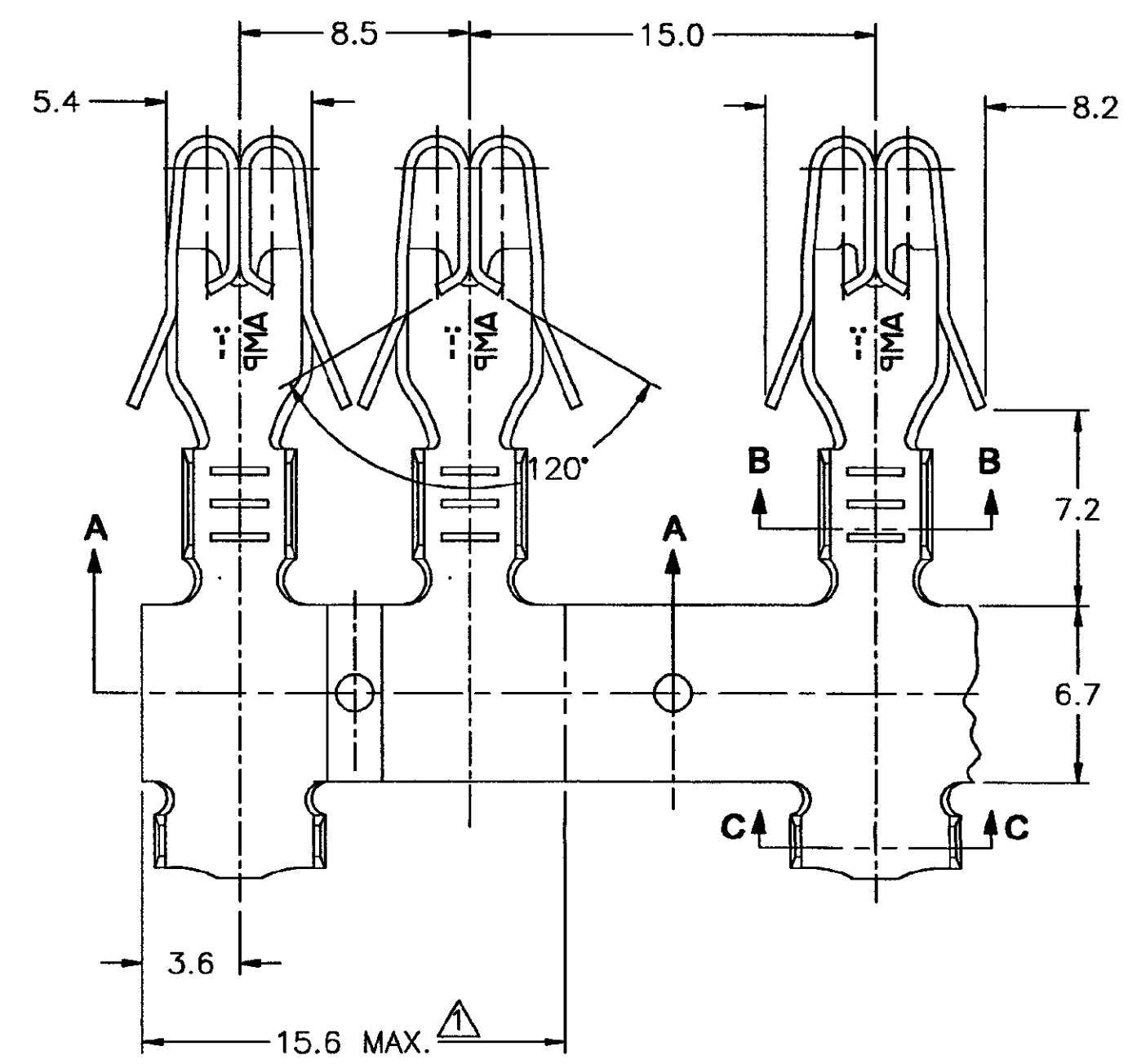


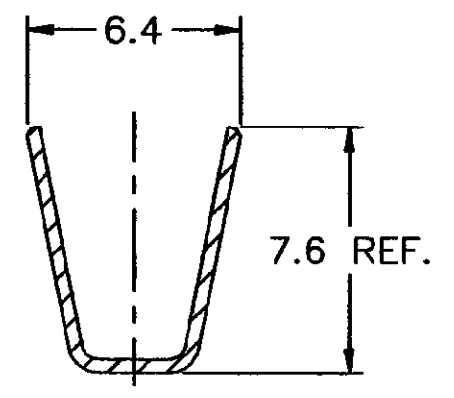
THIS DRAWING IS UNPUBLISHED. RELEASED FOR PUBLICATION.
 © COPYRIGHT 19 BY AMP INCORPORATED. ALL RIGHTS RESERVED.

CAD
 DO NOT REVISE
 EXCEPT BY CAD

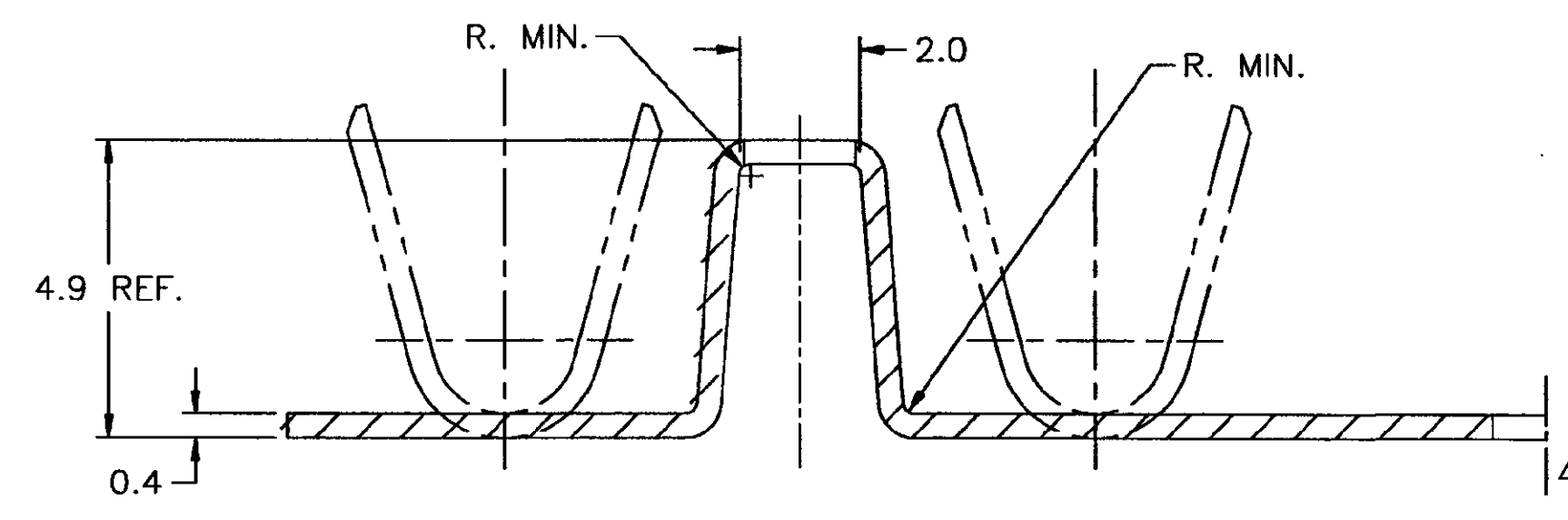
REVISIONS				
P	LTR	DESCRIPTION	DATE	APVD
F		REDRAW BY EC 0475/99	07.24.00	FSM/PLF
F1		REVISED PER ECO-09-026444	NOV09	KK/AEG



SECTION B-B



SECTION C-C



SECTION A-A

- NOTES:
- ▲ - DIMENSÃO DE CORTE PARA O APLICADOR
 - ▲ - CUT DIMENSION FOR APPLICATOR
 - ▲ - OBSOLETE PARTS: OBSOLETE CIS STREAMLINING PER D.RENAUD/D.SINISI

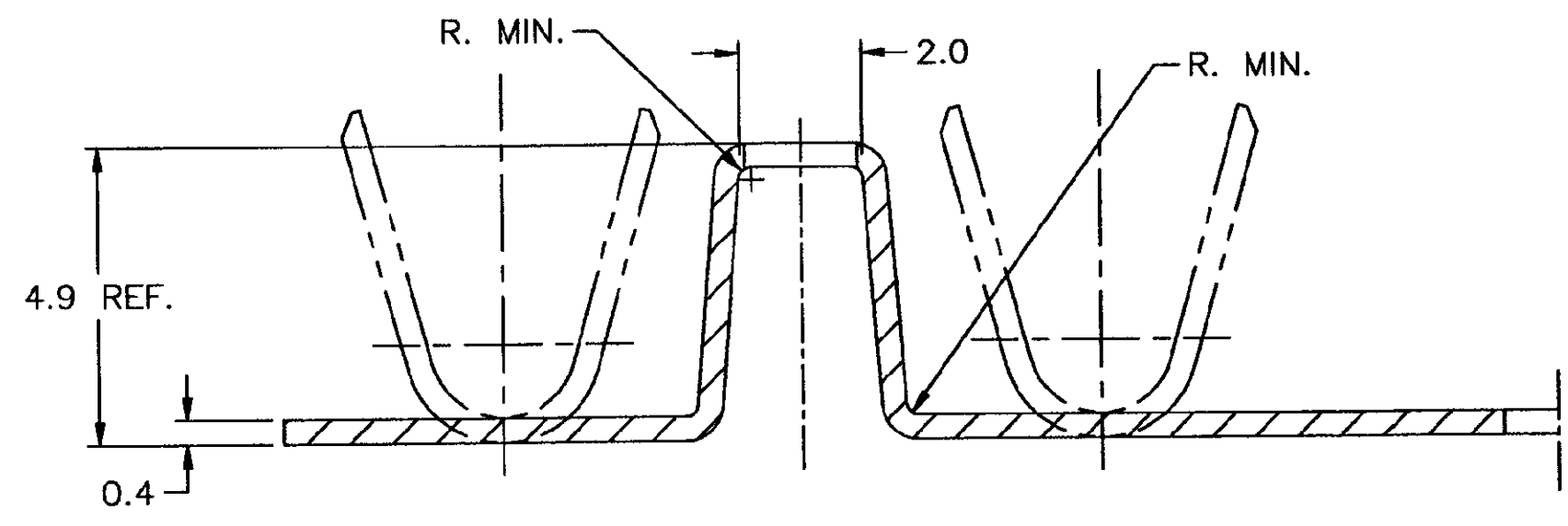
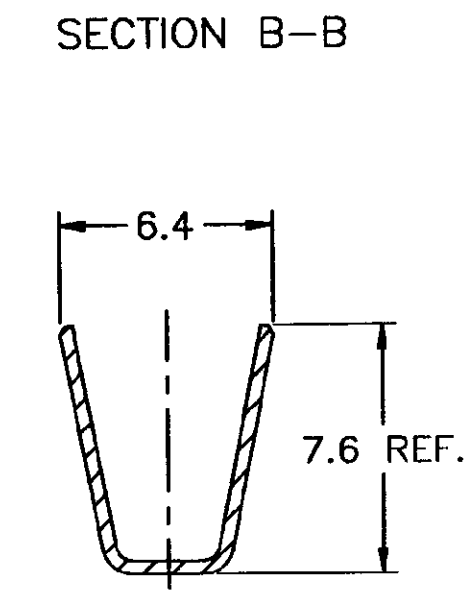
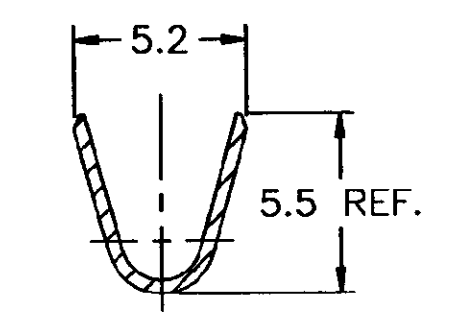
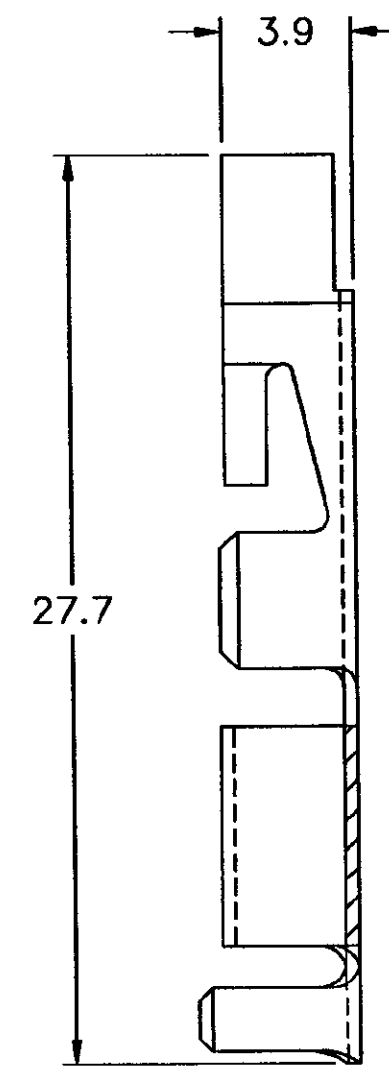
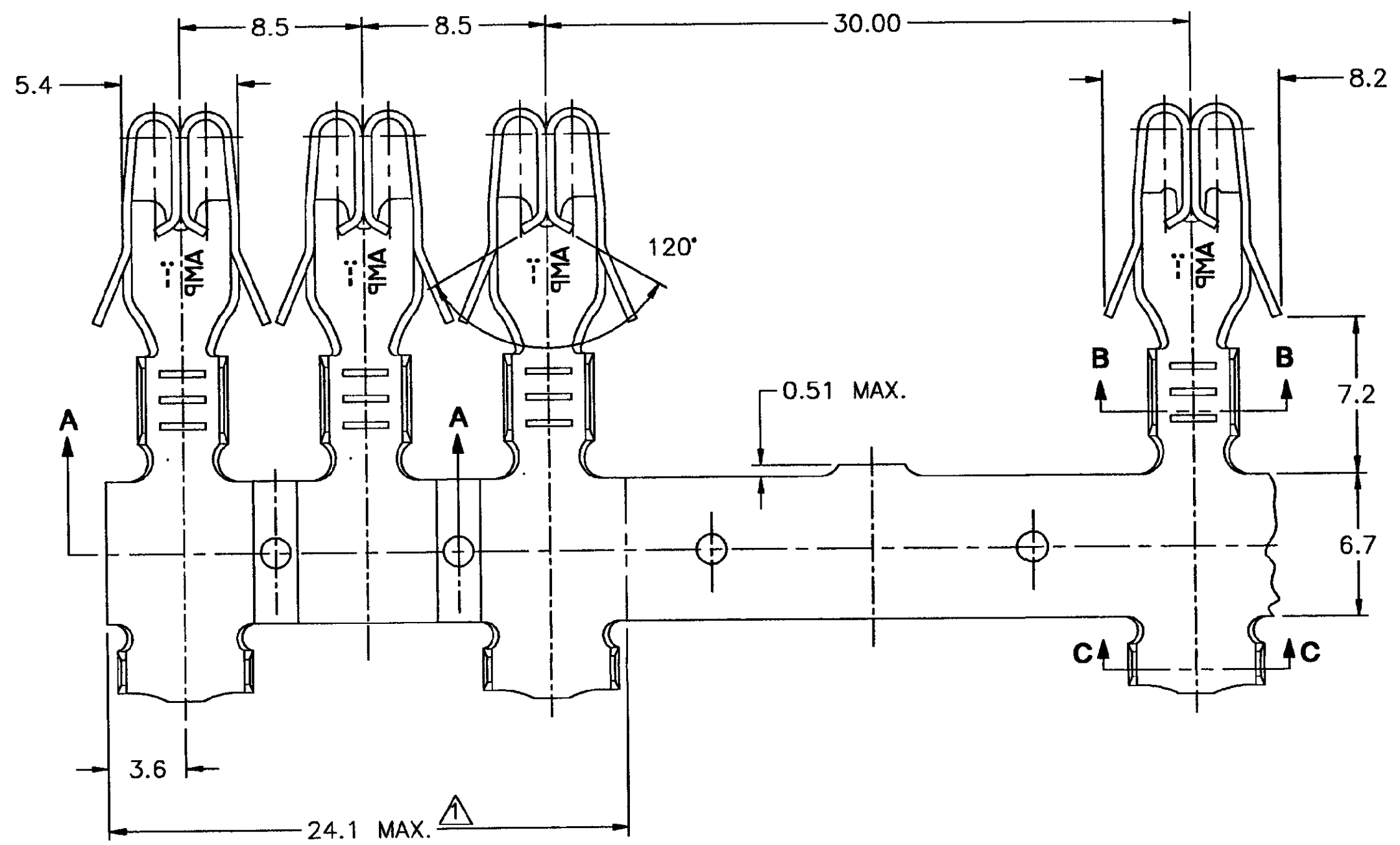
WIRE RANGE	>4,0 - 6,0mm ²	PRE-ESTANHADO/PRE TINNED	COBRE FERRO/COPPER IRON	881572-6
INSUL. RANGE	4,0 - 5,1mm	PRE-ESTANHADO/PRE TINNED	LATÃO/BRASS	881572-1
OTHER TREATMENT		FINISH	MATERIAL	PART NUMBER
THIS DRAWING IS A CONTROLLED DOCUMENT.		AMP do BRASIL Ltda. São Paulo - Brasil		
DIMENSIONS: MM		FUSE CONTACT (BUS-BAR)		
TOLERANCES UNLESS OTHERWISE SPECIFIED:		SIZE: A2 CAGE CODE: 00779 DRAWING NO: 881572		
0 PLC ± -		RESTRICTED TO		
1 PLC ± 0,2		SCALE: 5:1 SHEET 1 OF 4 REV F1		
2 PLC ± -				
3 PLC ± -				
4 PLC ± -				
ANGLES ± °				
FINISH				
MATERIAL: SEE TABLE		CUSTOMER DRAWING		
SEE TABLE				

ORIGINAL

THIS DRAWING IS UNPUBLISHED. RELEASED FOR PUBLICATION
 BY AMP INCORPORATED. ALL RIGHTS RESERVED.

CAD
 DO NOT REVISE
 EXCEPT BY CAD

LOC		DIST		REVISIONS			
P	LTR	DESCRIPTION	DATE	DWN	APVD		
		SEE SHEET 1 OF 4					



- NOTES:
- ① -DIMENSÃO DE CORTE PARA O APLICADOR
 - ① -CUT DIMENSION FOR APPLICATOR
 - ② OBSOLETE PARTS: OBSOLETE CIS STREAMLINING PER D.RENAUD/D.SINISI

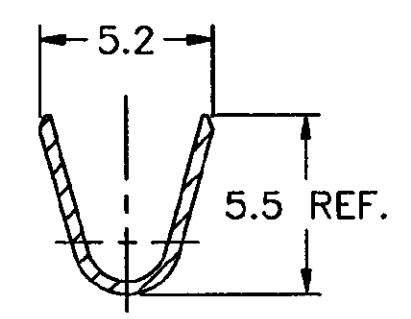
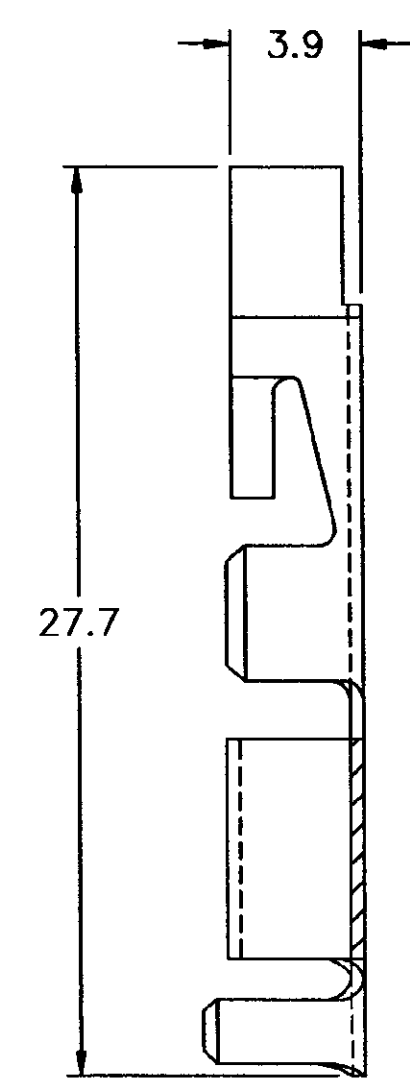
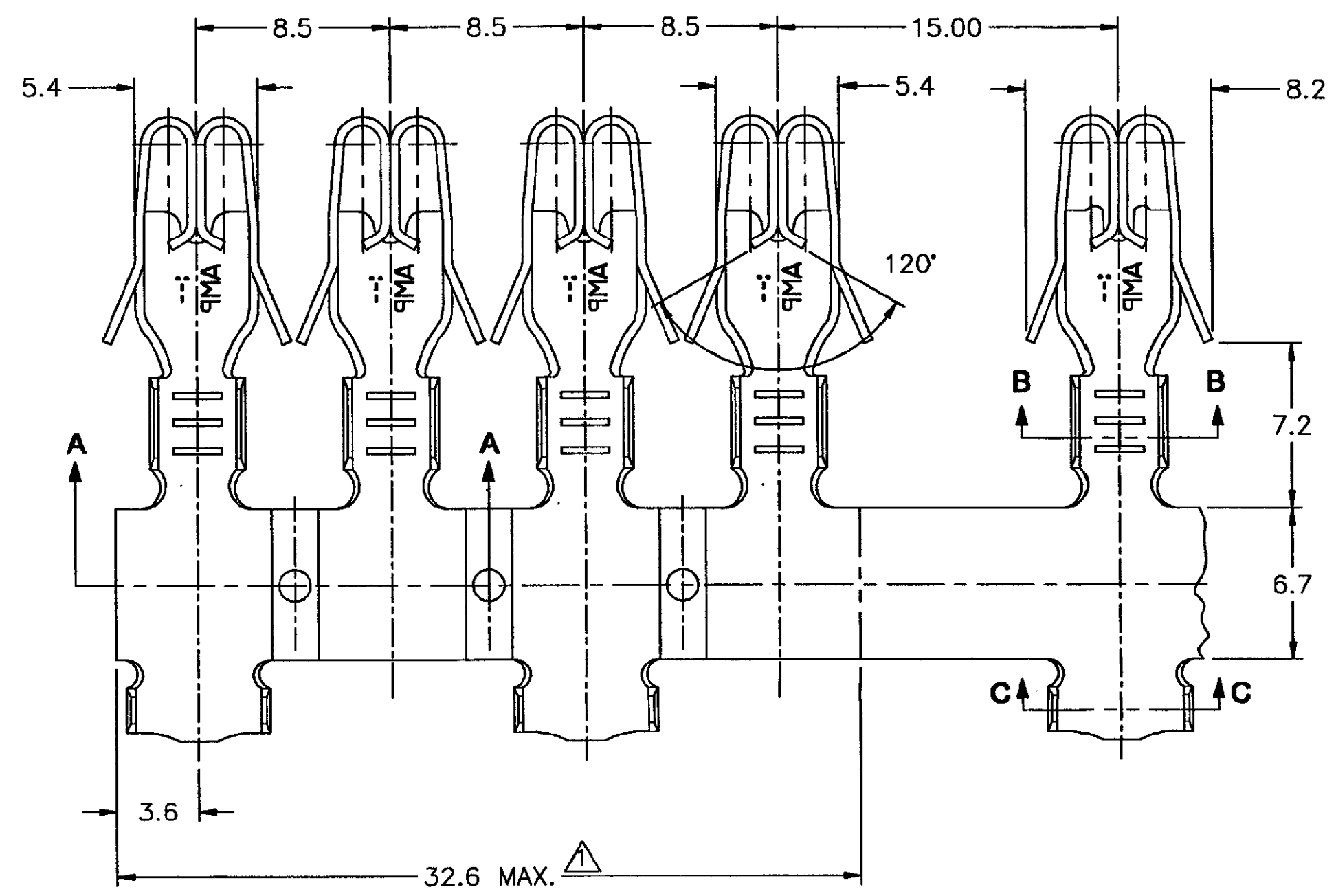
② OBSOLETE	WIRE RANGE 4.0 - 6.0mm ²	PRE-ESTANHADO/PRE TINNED	COBRE FERRO/COPPER IRON	881572-6
	INSUL. RANGE 4.0 - 5.1mm	PRE-ESTANHADO/PRE TINNED	LATÃO/BRASS	881572-2
THIS DRAWING IS A CONTROLLED DOCUMENT.		OTHER TREATMENT	FINISH	MATERIAL
DIMENSIONS: MM		NAME: F.S. MARTINS DIR: P.L. FARIA APVD: F.ALEXANDRE PRODUCT SPEC:		
0 PLC ± - 1 PLC ± 0.2 2 PLC ± - 3 PLC ± - 4 PLC ± - ANGLES ± 1°		AMP do BRASIL Ltda. São Paulo - Brasil		
MATERIAL		FUSE CONTACT (BUS-BAR)		
FINISH		SIZE	DWG CODE	DRAWING NO
SEE TABLE		A2	00779	C=881572
CUSTOMER DRAWING		SCALE	SHEET	REV
		5:1	2 OF 4	F1

881572 ORIGINAL

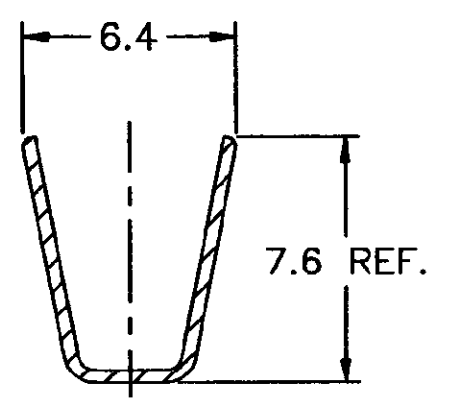
THIS DRAWING IS UNPUBLISHED. RELEASED FOR PUBLICATION
 BY AMP INCORPORATED. ALL RIGHTS RESERVED.

CAD
 DO NOT REVISE
 EXCEPT BY CAD

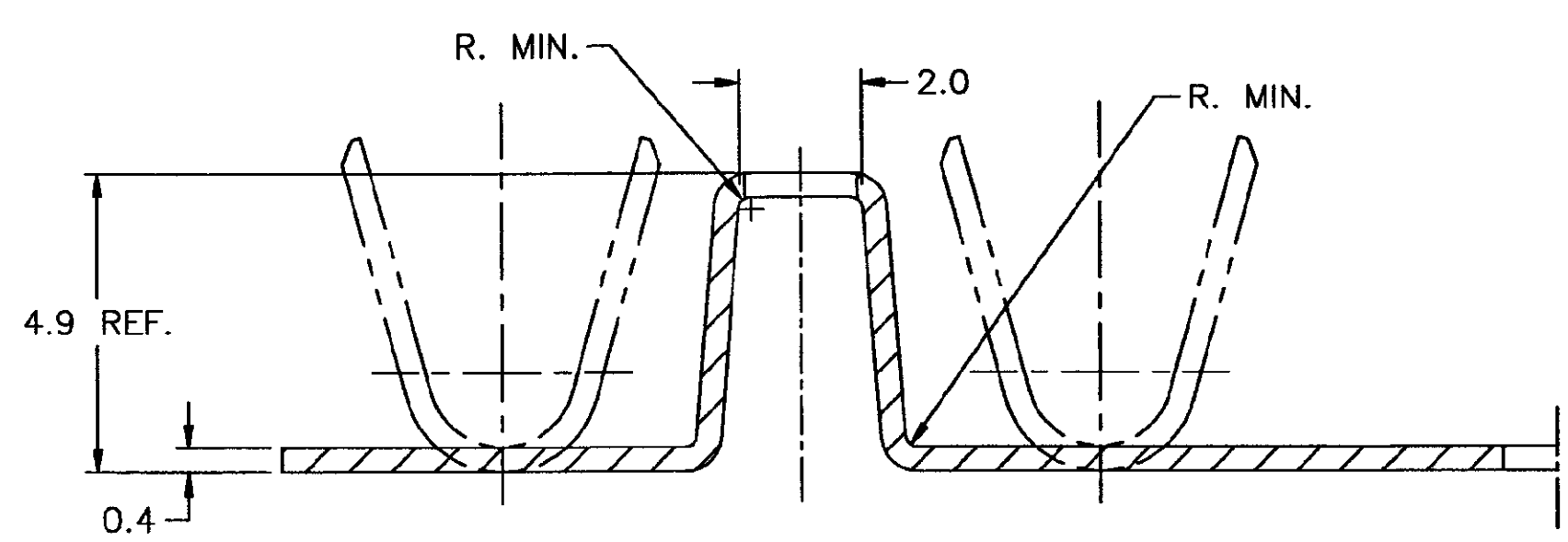
REVISIONS			
NO.	DESCRIPTION	DATE	BY
1	SEE SHEET 1 OF 4	-	-



SECTION B-B



SECTION C-C



SECTION A-A

NOTES:

- △ -DIMENSÃO DE CORTE PARA O APLICADOR
- △ -CUT DIMENSION FOR APPLICATOR
- △ OBSOLETE PARTS: OBSOLETE CIS STREAMLINING PER D.RENAUD/D.SINISI

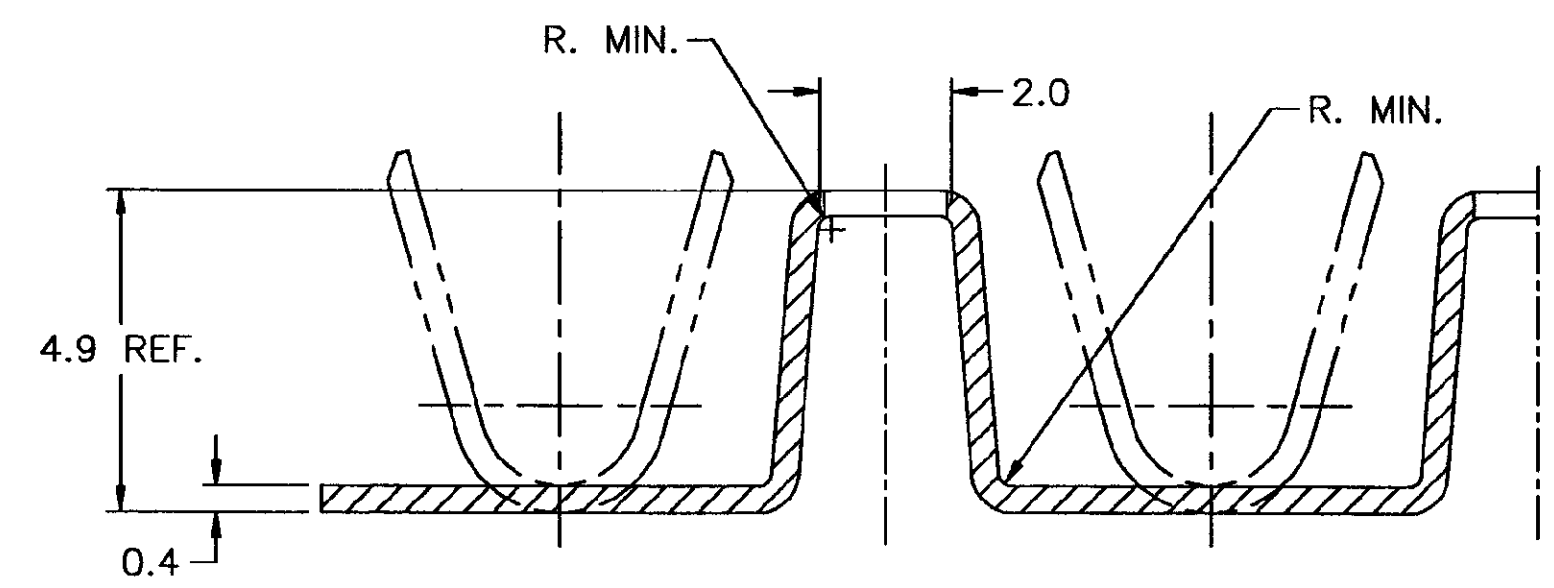
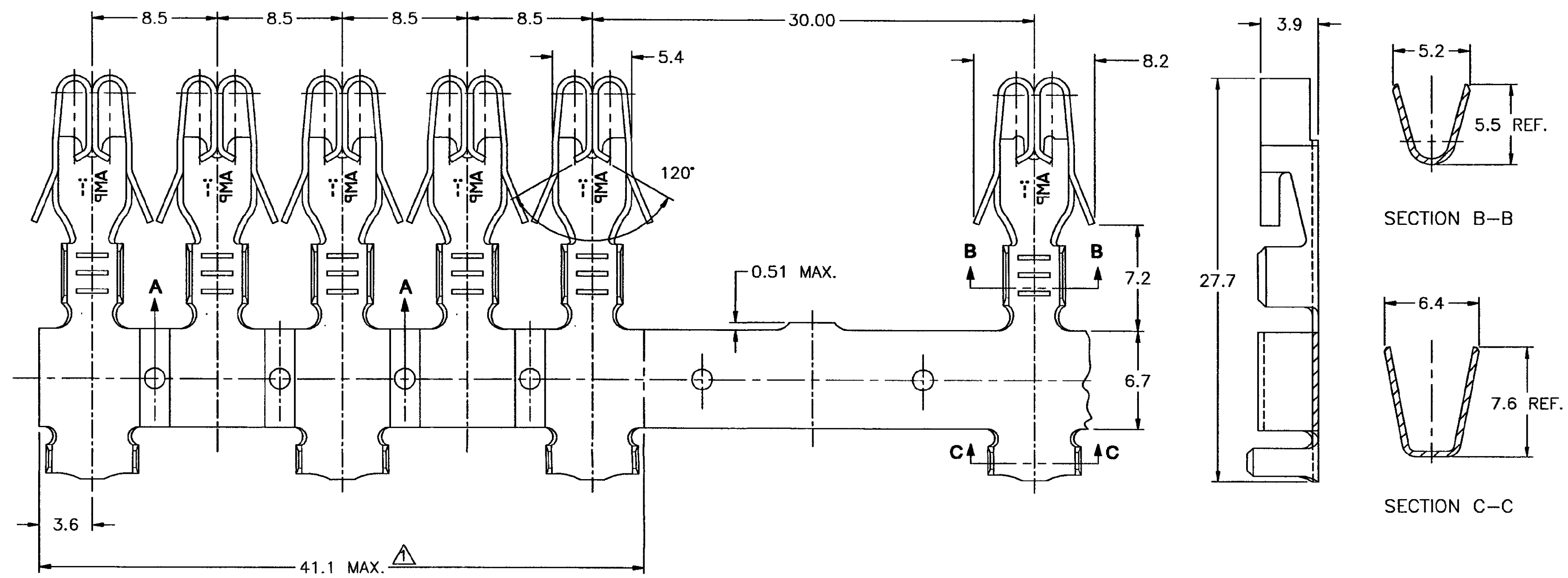
OBSOLETE	WIRE RANGE	PRE-ESTANHADO/PRE TINNED	COBRE FERRO/COPPER IRON	881572-7
	>4,0 - 6,0mm ²	PRE-ESTANHADO/PRE TINNED	LATÃO/BRASS	881572-3
	INSUL. RANGE	OTHER TREATMENT	FINISH	MATERIAL
	4,0 - 5,1mm			
THIS DRAWING IS A CONTROLLED DOCUMENT.		AMP do BRASIL Ltda. São Paulo - Brasil		
DIMENSIONS: MM		FUSE CONTACT (BUS-BAR)		
TOLERANCES UNLESS OTHERWISE SPECIFIED:		APPLICATION SPEC		
0 PLC ± -		SIZE		
1 PLC ± 0,2		DATE CODE		
2 PLC ± -		DRAWING NO		
3 PLC ± -		RESTRICTED TO		
4 PLC ± -		A2 00779 C-881572		
ANGLES ± 1°		CUSTOMER DRAWING		
FINISH		SCALE 5:1		
SEE TABLE		SHEET 3 of 4		
		REV F1		

ORIGINAL

THIS DRAWING IS UNPUBLISHED. RELEASED FOR PUBLICATION. BY AMP INCORPORATED. ALL RIGHTS RESERVED.

CAD
DO NOT REVISE
EXCEPT BY CAD

LOG		DIST		REVISIONS			
P	LR	DESCRIPTION	DATE	DWN	APVD		
		SEE SHEET 1 OF 4					



SECTION A-A

NOTES:

- ① - DIMENSÃO DE CORTE PARA O APLICADOR
- ① - CUT DIMENSION FOR APPLICATOR
- ② OBSOLETE PARTS: OBSOLETE CIS STREAMLINING PER D.RENAUD/D.SINISI

② OBSOLETE	WIRE RANGE	>4,0 - 6,0mm ²	PRE-ESTANHADO/PRE TINNED	COBRE FERRO/COPPER IRON	881572-0
	INSUL. RANGE	4,0 - 5,1mm	PRE-ESTANHADO/PRE TINNED	LATÃO/BRASS	881572-4
	OTHER TREATMENT		FINISH	MATERIAL	PART NUMBER
THIS DRAWING IS A CONTROLLED DOCUMENT.					
DIMENSIONS:		TOLERANCES UNLESS OTHERWISE SPECIFIED:		AMP do BRASIL Ltda. São Paulo - Brasil	
MM	0 PLC ± -	1 PLC ± 0,2	2 PLC ± -	3 PLC ± -	4 PLC ± -
	ANGLES	± 1°		FUSE CONTACT (BUS-BAR)	
MATERIAL	SEE TABLE	SEE TABLE	APPLICATION SPEC	SIZE	CAGE CODE
				A2	00779
			WEIGHT	DRAWING NO	RESTRICTED TO
				C-881572	
			CUSTOMER DRAWING	SCALE	SHEET
				5:1	4 OF 4
				REV	F1

ORIGINAL

881572

JUANDO EN REVISÃO